

AARON MANUFACTURING INC.

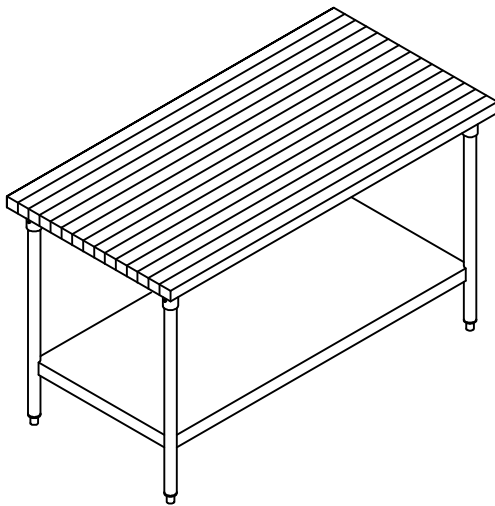
STANDARD BAKER'S WORK TABLES MODEL # ABT SERIES

DATE: 8-17-04

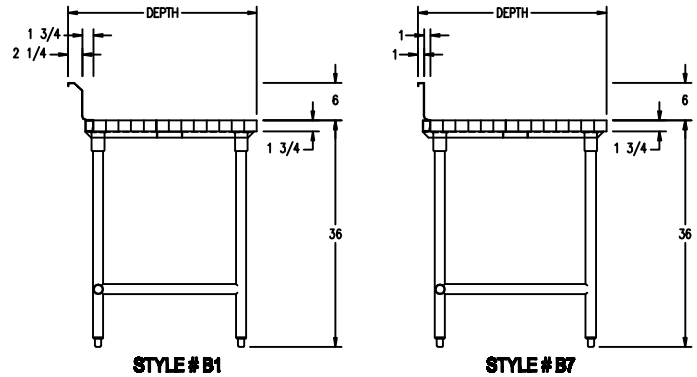
STANDARD FEATURES

SPECIFICATION: Table tops are 1 3/4" thick maple butcher block with 14 gauge stainless steel channels underneath. Reinforcement channel is screwed in place with stainless steel screws.
 All undershelfing is 16 gauge stainless steel with 14 gauge reinforcement under.
 Stainless steel leg assemblies consists of 1-5/8" round 16 gauge stainless steel tubing with stainless bell gussets and adjustable bullet feet. 1-5/8" or 1" round 16 gauge stainless steel crossbracing from leg to leg where specified.
 Economy series available: 18 gauge stainless undershelfing, in lieu of 16 gauge stainless.
 All fabrication per N.S.F. #2 standards.
 Contact Aaron Bid Department for specific pricing for modified units and accessories.

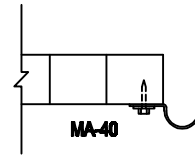
JOB NAME : _____
 LOCATION : _____
 ITEM # _____
 MODEL # _____
 QUANTITY : _____



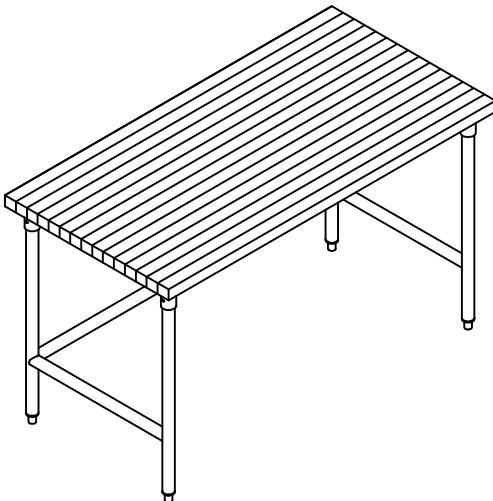
MODEL #ABT-US SERIES
 WORK TABLE WITH UNDERSHELF



OPTIONAL BACKSPLASH ADDITION



FLOUR CATCH TROUGH



MODEL #ABT-CB SERIES
 WORK TABLE WITH CROSSBRACING

OPTIONS AND ACCESSORIES

- | MODEL # | DESCRIPTION |
|--------------------------------|---|
| <input type="checkbox"/> MA-4 | CUSTOM BACKSPLASH (Verify style and height)
<input type="checkbox"/> B1 <input type="checkbox"/> B2 <input type="checkbox"/> B3 <input type="checkbox"/> B4 <input type="checkbox"/> B5 <input type="checkbox"/> B6
<input type="checkbox"/> B7 <input type="checkbox"/> B8 <input type="checkbox"/> B9 |
| <input type="checkbox"/> MA-5 | END SPLASH- <input type="checkbox"/> LEFT <input type="checkbox"/> RIGHT |
| <input type="checkbox"/> MA-7 | S/S FLANGED FEET (In lieu of bullet feet)
<input type="checkbox"/> WITH MOUNTING HOLES <input type="checkbox"/> WITHOUT |
| <input type="checkbox"/> MA-8 | SWIVEL CASTERS- <input type="checkbox"/> 5"Ø <input type="checkbox"/> 4"Ø |
| <input type="checkbox"/> MA-10 | SECONDARY S/S UNDERSHELF |
| <input type="checkbox"/> MA-11 | VERTICAL TRAY STORAGE DIVIDER RODS
<input type="checkbox"/> 6" o.c. <input type="checkbox"/> 4" o.c. <input type="checkbox"/> 3" o.c. |
| <input type="checkbox"/> MA-12 | S/S TUBE CROSSBRACING- <input type="checkbox"/> 1 5/8"Ø <input type="checkbox"/> 1"Ø
<input type="checkbox"/> FRONT <input type="checkbox"/> SIDES <input type="checkbox"/> BACK |
| <input type="checkbox"/> MA-13 | ELECTRICAL BOX IN BACKSPLASH FOR OUTLET
<input type="checkbox"/> 4"x4" <input type="checkbox"/> 2"x4" |
| <input type="checkbox"/> MA-21 | S/S CHASE (Verify size and location) |
| <input type="checkbox"/> MA-25 | SPACE UNDERNEATH FOR ROLL-IN OR FREE STANDING UNITS |
| <input type="checkbox"/> MA-28 | S/S BRACKET WITH ELECTRICAL BOX FOR UTILITY OUTLET |
| <input type="checkbox"/> MA-27 | UTILITY DRAWER WITH S/S INSERT PAN
<input type="checkbox"/> 20"x20"x5"dp. <input type="checkbox"/> 15"x20"x5" dp. <input type="checkbox"/> 12"x20"x6" dp. |
| <input type="checkbox"/> MA-29 | 16"x28" AND 12"x20" PAN STORAGE |
| <input type="checkbox"/> MA-36 | FLOUR CATCH TROUGH ADD-ON TO FRONT EDGE TABLE TOP |
| <input type="checkbox"/> ACB1 | CONDIMENT / SPICE BIN ASSEMBLY (MULTIPLE UNIT) |
| <input type="checkbox"/> ACB2 | CONDIMENT / SPICE BIN ASSEMBLY (INDIVIDUAL / SINGLE TYPE) |
| <input type="checkbox"/> AOS | UPPER SHELF ASSEMBLY <input type="checkbox"/> SINGLE <input type="checkbox"/> DOUBLE |
| <input type="checkbox"/> APR | UPPER POT RACK ASSEMBLY <input type="checkbox"/> SINGLE <input type="checkbox"/> DOUBLE <input type="checkbox"/> TRIPLE |

AARON MANUFACTURING INC.