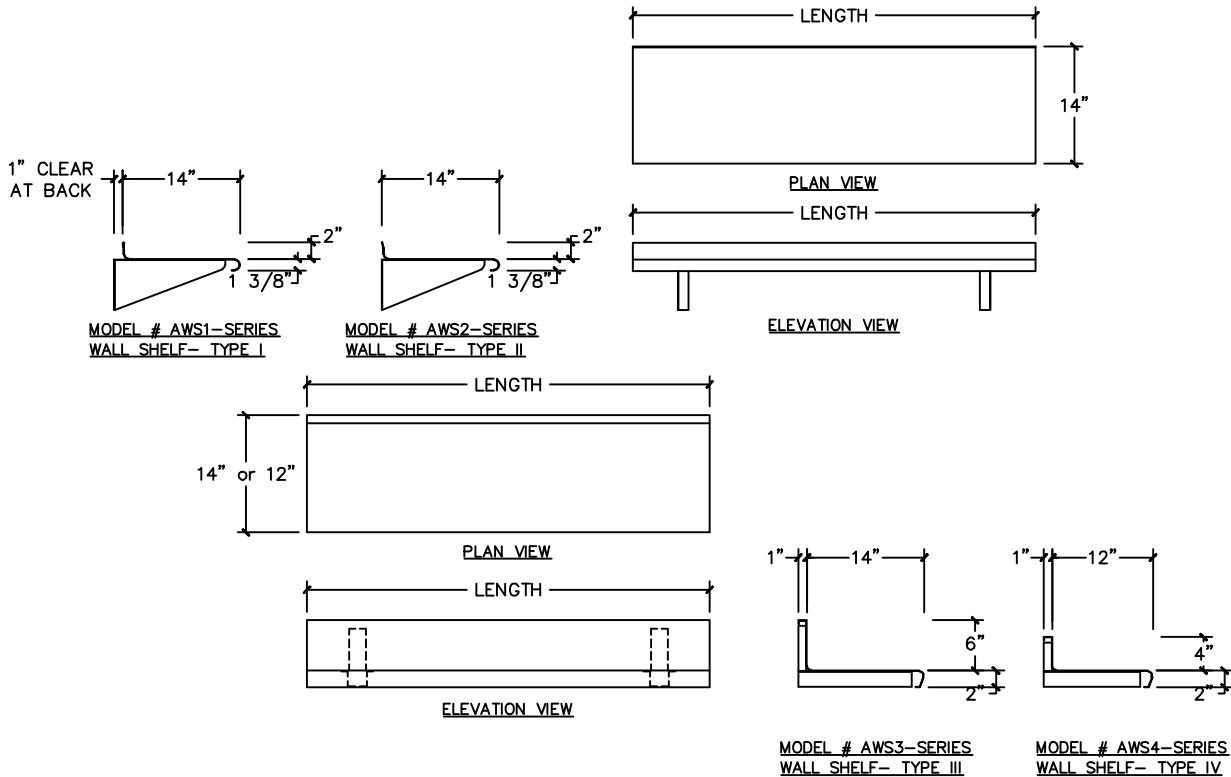


AARON MANUFACTURING INC.

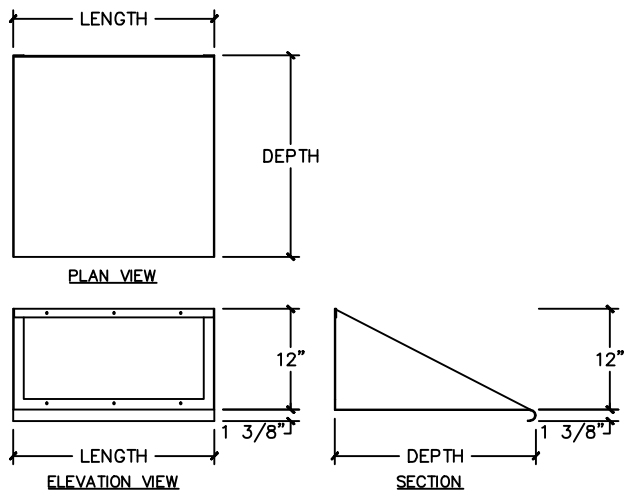
STANDARD WALL MOUNTED SHELVING

DATE: 8-17-04



MODEL # AWS-SERIES SPECIFICATIONS						
depth x length in.	depth x length mm	# of brackets	weight lbs.	weight kg.	model #	model #
13" x 24"	330 x 610	2	12	5.4	AWS1-24	AWS2-24
13" x 36"	330 x 914	2	14	6.3	AWS1-36	AWS2-36
13" x 48"	330 x 1219	2	17	7.7	AWS1-48	AWS2-48
13" x 60"	330 x 1524	3	23	10.4	AWS1-60	AWS2-60
13" x 72"	330 x 1829	3	25	11.3	AWS1-72	AWS2-72
13" x 84"	330 x 2134	3	28	12.7	AWS1-84	AWS2-84
13" x 96"	330 x 2438	3	31	14.1	AWS1-96	AWS2-96
13" x 108"	330 x 2743	4	36	16.3	AWS1-108	AWS2-108
13" x 120"	330 x 3048	4	39	17.7	AWS1-120	AWS2-120

MODEL # AWS-SERIES SPECIFICATIONS								
depth x length in.	depth x length mm	# of brackets	weight lbs.	weight kg.	model #	model #	model #	model #
13" x 24"	330 x 610	2	12	5.4	AWS3-24	AWS4-24	AWS3-24	AWS4-24
13" x 36"	330 x 914	2	14	6.3	AWS3-36	AWS4-36	AWS3-36	AWS4-36
13" x 48"	330 x 1219	2	17	7.7	AWS3-48	AWS4-48	AWS3-48	AWS4-48
13" x 60"	330 x 1524	3	23	10.4	AWS3-60	AWS4-60	AWS3-60	AWS4-60
13" x 72"	330 x 1829	3	25	11.3	AWS3-72	AWS4-72	AWS3-72	AWS4-72
13" x 84"	330 x 2134	3	28	12.7	AWS3-84	AWS4-84	AWS3-84	AWS4-84
13" x 96"	330 x 2438	3	31	14.1	AWS3-96	AWS4-96	AWS3-96	AWS4-96
13" x 108"	330 x 2743	4	36	16.3	AWS3-108	AWS4-108	AWS3-108	AWS4-108
13" x 120"	330 x 3048	4	39	17.7	AWS3-120	AWS4-120	AWS3-120	AWS4-120



MODEL # AMS-SERIES SPECIFICATIONS				
depth x length in.	depth x length mm	weight lbs.	weight kg.	model #
18" x 22"	457 x 559	12	5.4	AMS1822
22" x 22"	559 x 559	12	5.4	AMS2222
18" x 24"	457 x 610	12	5.4	AMS1824
24" x 24"	610 x 610	12	5.4	AMS2424

AARON MANUFACTURING INC.