

AARON MANUFACTURING INC.

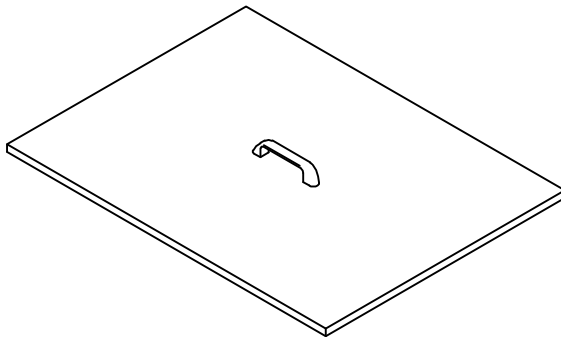
DROP-IN INSULATED ICE BIN MODEL # AIB SERIES

DATE: 8-17-04

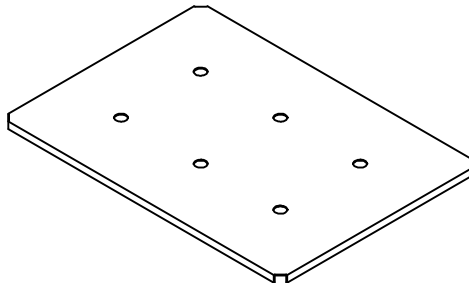
STANDARD FEATURES

SPECIFICATION: Insulated ice bin is constructed of 18 gauge stainless steel, with all welded ice bin liner, 20 gauge galvanized outer jacket, foamed-in polyurethane insulation inbetween (1" thick at sides and 2" thick at bottom), and 1" IPS brass drain. High polished at outer flanged edge of the ice bin. All fabrication per N.S.F. #2 standards. Contact Aaron Bid Department for specific pricing for modified units and accessories.

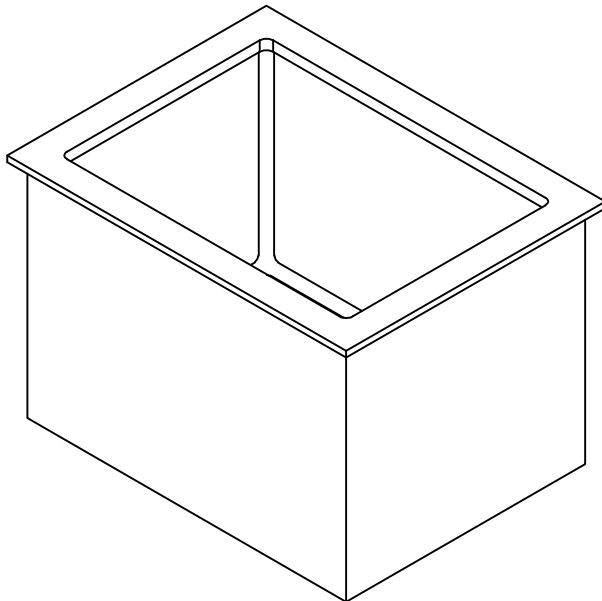
JOB NAME :	_____
LOCATION :	_____
ITEM #	_____
MODEL #	_____
QUANTITY :	_____



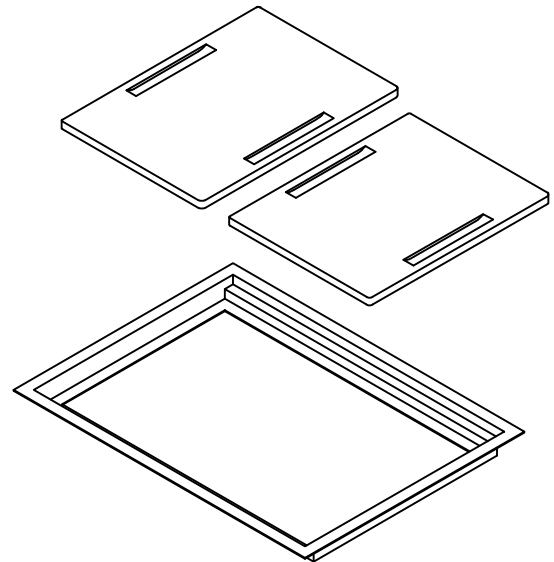
S/S ICE BIN COVER (OPTIONAL)



S/S FALSE BOTTOM (OPTIONAL)



MODEL #AIB-SERIES
DROP-IN ICE BIN



1/2" THICK PLEXIGLASS SLIDING LIDS
AND S/S FRAME ASSEMBLY (OPTIONAL)

OPTIONS AND ACCESSORIES

- | MODEL # | DESCRIPTION |
|--------------------------------|--|
| <input type="checkbox"/> MA-90 | PERFORATED S/S FALSE BOTTOM PLATE |
| <input type="checkbox"/> MA-91 | SLIDING LID AND FRAME ASSEMBLY |
| <input type="checkbox"/> MA-92 | S/S ICE BIN COVER |
| <input type="checkbox"/> MA-93 | SEALED IN EIGHT CIRCUIT COLD PLATE |
| <input type="checkbox"/> MA-94 | MODIFIED UNIT |
| <input type="checkbox"/> MA-95 | BUILT-IN UNIT (In lieu of drop-in) |
| <input type="checkbox"/> MA-96 | STAINLESS STEEL OUTER JACKET
For exposed units, in lieu of galvanized finish. |

AARON MANUFACTURING INC.

324 S. DIAMOND BAR BLVD., SUITE 879, DIAMOND BAR, CA 91765 * (877) 202-2766 * FAX (800) 498-6655

A.11